

Clarke®



PRESSURISED SANDBLASTER

MODEL NO: CPSB200B

PART NO: 7640134

OPERATION & MAINTENANCE INSTRUCTIONS

UK
CA | CE

ORIGINAL INSTRUCTIONS

DL0822 REV 1

INTRODUCTION

Thank you for purchasing this CLARKE Pressurised Sandblaster.

Before attempting to use this product, please read this manual thoroughly and follow the instructions carefully. In doing so you will ensure the safety of yourself and that of others around you, and you can look forward to your purchase giving you long and satisfactory service.

GUARANTEE

This product is guaranteed against faulty manufacture for a period of 12 months from the date of purchase. Please keep your receipt which will be required as proof of purchase.

This guarantee is invalid if the product is found to have been abused or tampered with in any way, or not used for the purpose for which it was intended. Faulty goods should be returned to their place of purchase, no product can be returned to us without prior permission.

This guarantee does not effect your statutory rights.

ENVIRONMENTAL PROTECTION



Recycle unwanted materials instead of disposing of them as waste. All tools, accessories and packaging should be sorted, taken to a recycling centre and disposed of in a manner which is compatible with the environment.

CARTON CONTENTS

The following items should be supplied in the carton.

If any parts are missing or damaged, please see your Clarke dealer.

- 1 x Tank Assembly
- 2 x Handlebars
- 2 x Wheels
- 1 x Fixings Kit
- 1 x Media Hose
- 1 x Sand Sieve
- 1 x Protective Mask/Hood
- 4 x Nozzles - nominal diameters: 2.0 mm, 2.5 mm, 3.0 mm, 3.5 mm
- 1 x Front Leg
- 1 x Gun Assembly
- 2 x Wheel Covers
- 1 x Axle
- 1 x Funnel
- 1 x Roll Teflon Tape
- 1 x Spare Gun Closing Block

GENERAL SAFETY RULES



WARNING: COMPRESSED AIR CAN BE DANGEROUS. ENSURE THAT YOU ARE THOROUGHLY FAMILIAR WITH ALL PRECAUTIONS RELATING TO THE USE OF COMPRESSORS AND COMPRESSED AIR SUPPLY.

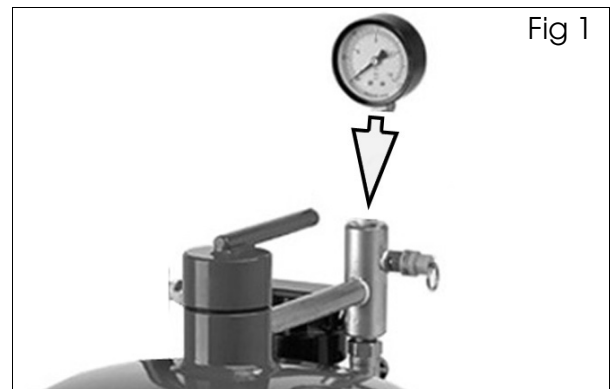
1. Read this instruction manual before connecting the sandblaster to your compressor.
2. **DO NOT** use any silica based abrasives with this tool. Silica based abrasives have been linked to severe respiratory disease. **ALWAYS** use recommended abrasives. Abrasives used in this sandblaster may be covered by COSHH Regulations.
3. Read this manual carefully, Learn the sandblaster applications and limitations, as well as potential hazards specific to it.
4. **DO NOT** expose to moisture. Don't use this product in damp or wet locations, Keep out of rain.
5. Keep work area clean and well lit. Cluttered or dark work areas invite accidents.
6. Keep children away. All children should be kept away from the work area. Never let a child handle tools without strict adult supervision.
7. **DO NOT** operate this product if under the influence of alcohol or drugs. Read warning labels on prescriptions to determine if your judgment or reflexes are impaired while taking medication. If there is any doubt, do not attempt to operate.
8. Use safety equipment. Dust mask, non-skid safety shoes, hard hat, or hearing protection should be used in appropriate conditions.
9. **DO NOT** overreach, Keep proper footing and balance at all times when operating this product.
10. **ALWAYS** disconnect the sandblaster from the air supply and release pressure from the tank before storing, servicing, or changing accessories.
11. Use clamps or other practical means to secure and support the work piece to a stable platform. **DO NOT** hold the work by hand or against your body.
12. **DO NOT** point the sandblaster at anyone or at any objects other than the intended work object.
13. Check your sandblaster regularly for damage, If any part is damaged it should be carefully inspected to make sure that it can perform its intended function correctly. If in doubt, the part should be repaired. Refer all servicing to a qualified technician. Consult your dealer for advice.
14. **DO NOT** attempt to operate this product near flammable materials or combustibles. Failure to comply may cause serious injury.
15. **ALWAYS** make sure that the trigger is not on before connecting the sandblaster to the air supply.
16. Store idle equipment out of the reach of children and untrained persons. Tools may be dangerous in the hands of untrained users.

17. Drain the water trap periodically during use, Do not allow moisture to fill more than 1/2 of the water trap bowl. Do not leave water standing in the water trap when storing the sandblaster.
18. **DO NOT** allow the sandblaster to sit pressurized while unattended or not in use.
19. Periodically check the abrasive medium delivery components. Valves, hoses and nozzles that carry the abrasive medium after it leaves the pressure tank are subjected to the abrasive blasting action so will wear out more quickly than other components.
20. Release the air pressure in the tank before opening. See "Releasing Pressure from the Tank" section, Make sure pressure gauge reads "0" before opening the tank. **DO NOT** attempt any maintenance on the sandblaster until the pressure gauge reads "0" and it has been disconnected from the air supply.
21. Maintain the correct air pressure whenever working. **DO NOT** allow working pressure to exceed 125 psi. If the safety valve does not release excess air pressure, stop all work and release pressure from the tank (see "Releasing Pressure from the Tank" section).
22. **ALWAYS** make sure there is adequate ventilation. **DO NOT** work in confined areas.
23. In the case of injury seek expert medical advice immediately.
24. Use clamps or a vice to hold the work if it is small or of light weight rather than using your hands. This frees both hands to operate the nozzle.

ASSEMBLY

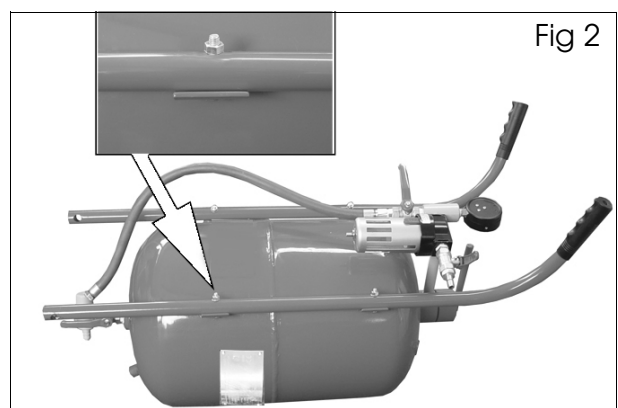
FIT THE PRESSURE GAUGE TO THE TANK

1. Screw the pressure gauge onto the sandblaster as shown in Fig 1.



FIT THE HANDLE BARS TO THE TANK

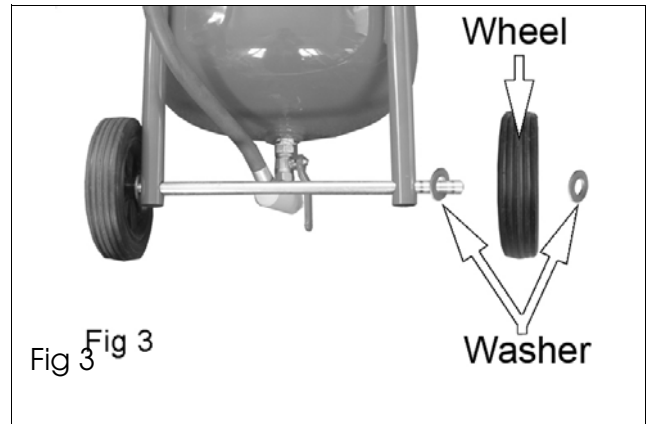
1. Lay the tank on a flat level surface such as a workbench, with the handlebar mounting brackets facing up, as shown in Fig 2.
2. Align the holes in the left handlebar with the handlebar mounting brackets on the left side of the tank.



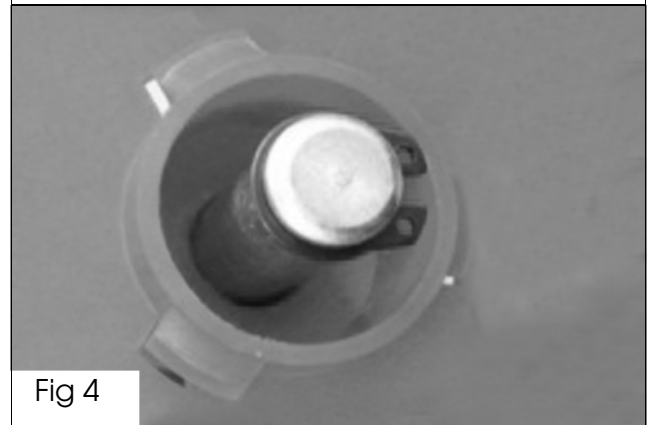
3. Fit a washer to each of the handlebar mounting screws. Insert a screw through each hole in the handlebar and mounting brackets.
4. Fit a nut onto each of the screws and firmly tighten with a wrench.
5. Repeat steps 2-4 for the right handlebar.

ASSEMBLE THE AXLE

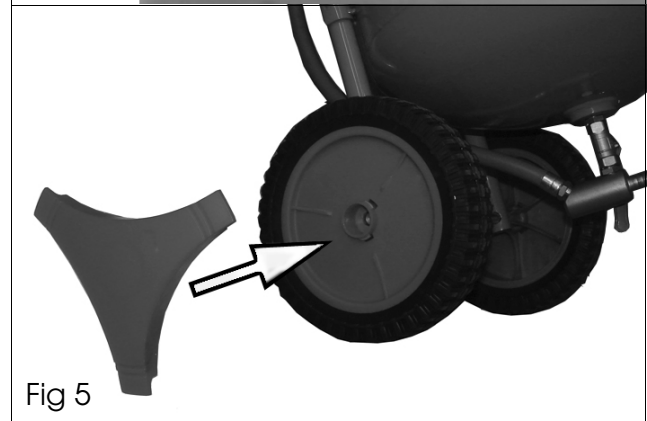
1. Slide the axle through the holes at the bottom of the handlebars, see Fig 3.
2. Slide a washer onto each end of the axle.



3. Slide a wheel onto each end of the axle followed by another washer.
4. Use the circlip provided to secure the wheel, see Fig 4.



5. Press the wheel cover onto the wheel as shown in Fig 5.



ATTACH THE FRONT LEG

1. Roll the tank over so that handlebars are now facing down.
2. Align the holes of the front leg with the holes in the leg mounting on the front side of the tank, see Fig 6.
3. Insert a split pin through the holes and bend it so the front leg cannot slide off the leg mount.

ATTACH THE MEDIA HOSE

1. Slide the hose onto the outlet at the bottom of the sandblaster as shown in Fig 7.
2. Tighten the clip shown to secure the hose.
3. Connect the sandblasting gun to the other end of the hose in a similar manner. Ensure the inlet connector is tightly fitted to the gun.
 - A spare gun closing block is supplied for future use.

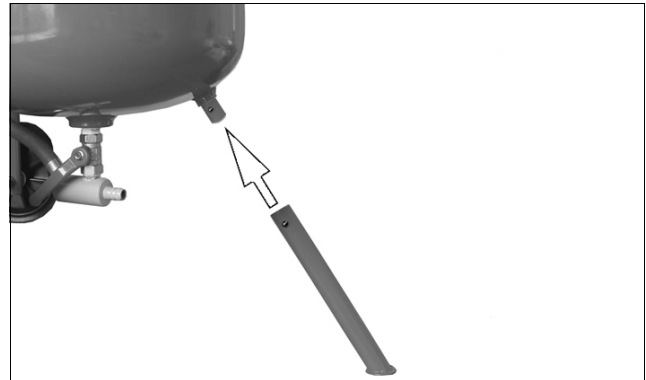


Fig 6

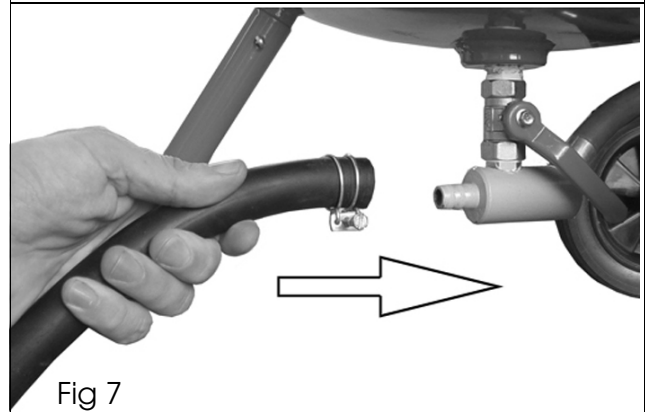


Fig 7

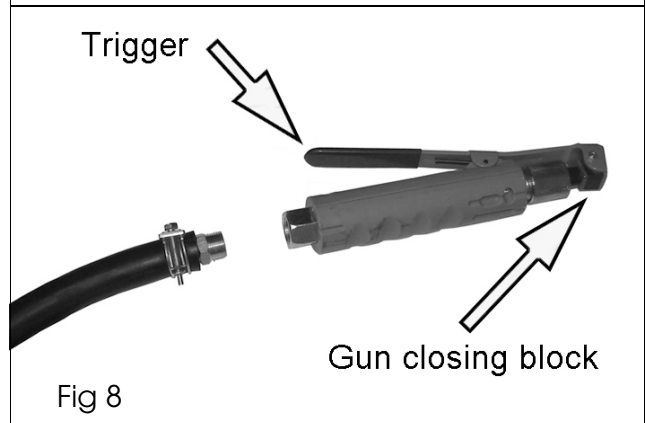


Fig 8

OPERATION



WARNING: ALWAYS WEAR YOUR HOOD, DUST MASK AND HEAVY DUTY CANVAS GLOVES WHEN OPERATING THE SANDBLASTER.

WARNING: BEFORE OPERATING YOUR SANDBLASTER, INSPECT EACH CONNECTION, DOUBLE CHECKING TO MAKE SURE THAT ALL ARE TIGHT AND PROPERLY SEALED.

WARNING: THIS SANDBLASTER IS NOT INTENDED FOR USE WITH SILICA BASED ABRASIVES. WHICH HAVE BEEN LINKED TO SEVERE RESPIRATORY DISEASE. ALWAYS USE SILICA SUBSTITUTES (SUCH AS CLARKE GLASS BEAD ABRASIVE.

SAFETY AND HEALTH CONSIDERATIONS

- Before opening tank make sure that it is not pressurized. Ensure the gauge reads "0". If it does not, release pressure from the tank (See page 10).
- Disconnect the compressor before opening the tank. Protect yourself and those around you from "over-spray". Remember that your sandblaster is shooting a powerful spray of abrasive material. Do not point it at yourself or anyone around you.
- Wear protective clothing including hood (30), and heavy gloves when using this sandblaster.
- Wear a dust mask over your mouth and nose when using this sandblaster. You will create a cloud of abrasive material and debris which is dangerous to inhale.
- Protect anything around you that may be damaged from the spray of abrasive particles. Nothing subject to contamination damage or with a fine surface should be near your sandblaster work area.

ABRASIVE SELECTION

The type of abrasive you choose will greatly influence the amount of time needed to clean a given surface area.

Suitable Abrasives available from your clarke stockist

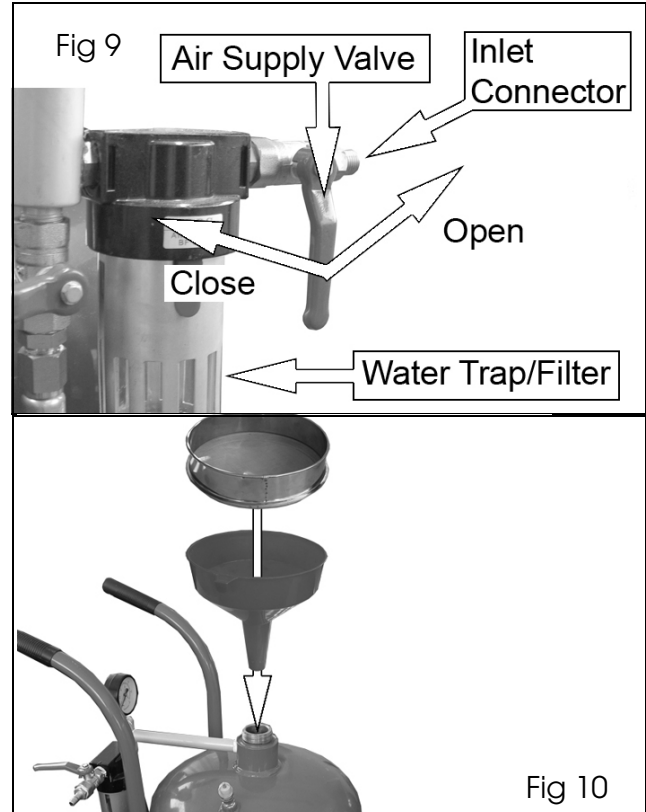
Aluminium Oxide Powder	60	60-80	60-80	80	80-120	120
	22kg	20kg	7.5kg	22kg	7.5kg	22kg
	3052070	3052110	3052100	3052075	3052105	3052080
Glass Bead Abrasive	3052095	20kg				
Soda Blast Abrasive	3052805	7.5kg		3052800	22kg	
Garnett Abrasive	3052090	22kg				

LOADING THE ABRASIVE

- To prevent clogging, ensure that the abrasive you use is dry.
- While you may re-use abrasive but remember that abrasive grit/material does wear out. After use, abrasive becomes smoother and rounder, thus reducing its effectiveness.

NOTE: Re-using abrasive may also cause clogging due to fine debris contained in the mixture from prior use.

1. Close the air supply valve by turning it to the closed position, see Fig 9.
2. Squeeze the trigger to release any pressure from the tank.
 - Make sure the pressure gauge reads "0".
3. Remove the filler cap.
4. Using the sieve and funnel supplied, pour the selected abrasive material into the tank, see Fig 10.
 - Do not fill the tank more than $\frac{3}{4}$ full.
 - If humidity in your region is 90% or more, only fill the tank $\frac{1}{2}$ full and check the water trap more frequently.
5. Replace the filler cap ensuring the O-ring is in place.

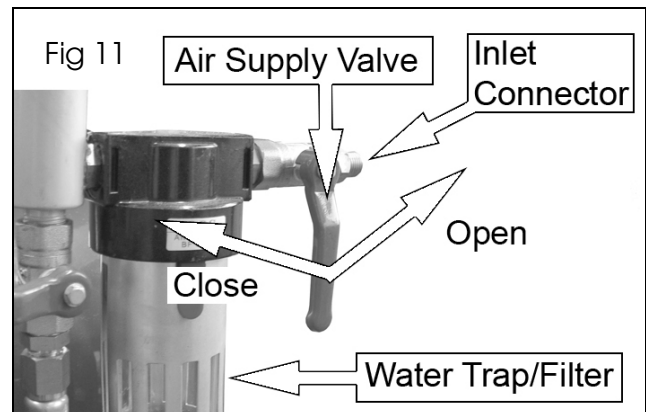


NOTE: Place your air compressor in another room to prevent damage from the intake of abrasive dust laden air.

TO START BLASTING

NOTE: Start with all valves in the closed position. Following the instructions below will help prevent clogging in the delivery hose, outlet manifold and in the gun.

1. Connect the compressor to the inlet connector.
2. Start the compressor and open the air supply valve, see Fig 11.
 - The tank will start to pressurise.



3. Test the safety valve by pulling up on the valve as shown in Fig 12.

- Air will hiss out when the valve is pulled.
-
-
-
-

4. Open the throttle valve, Fig 13.

5. Check for leaks at the filler cap and along all hoses and fittings as the system pressurises. If leaks are observed, release the pressure from the tank and repair any leaks immediately.

6. Press and hold the trigger until air is flowing through the gun.

7. With the trigger open, slowly open the abrasive control valve as shown in Fig 14 until abrasive material begins to flow out of the gun.

8. Adjust the abrasive control valve until the desired amount of abrasive material is flowing through the gun.

9. Begin blasting.

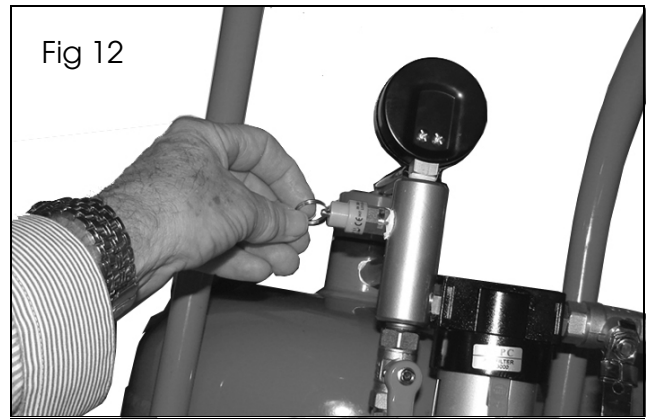


Fig 12

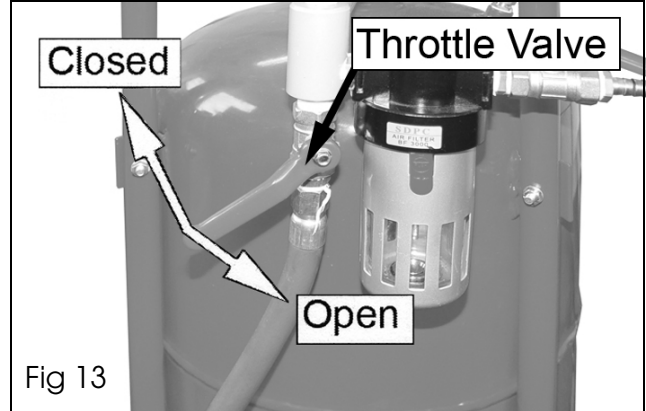


Fig 13

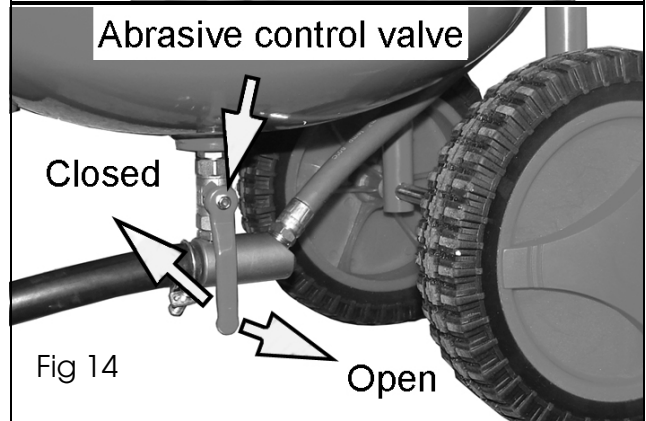


Fig 14

ABRASIVE FLOW ADJUSTMENT

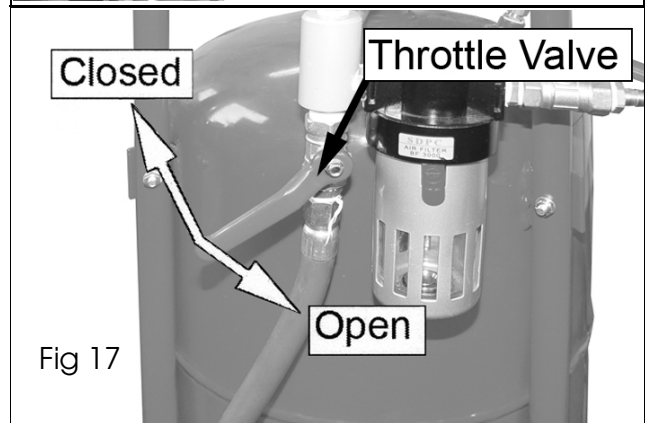
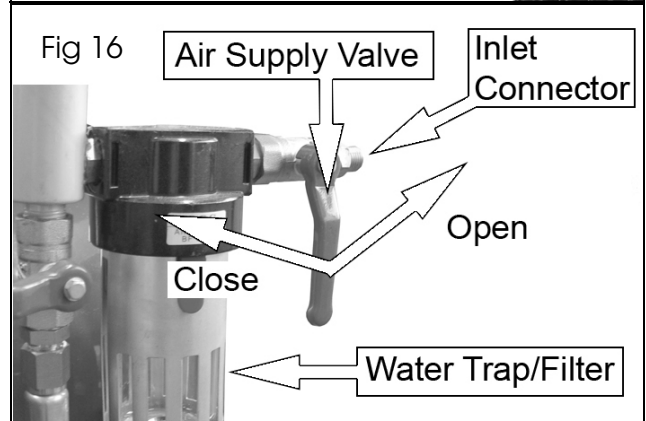
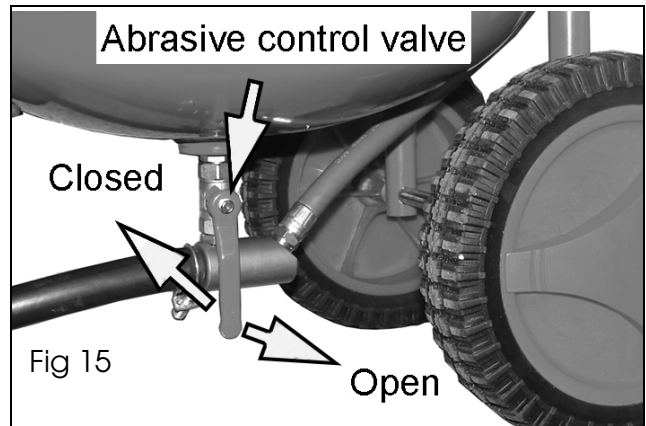
- Choose a larger nozzle for a broader spray pattern. Choose a smaller nozzle for more focused spray.
- Adjust air pressure with the throttle valve. Adjust abrasive flow with the abrasive control valve.
- Watch for abrasive clogging. Release pressure from the tank if necessary and replace the abrasive with drier or cleaner abrasive.

TO STOP BLASTING

1. While continuing to press and hold the trigger, turn the abrasive control valve to the closed position, see Fig 14.
2. When you notice only air (no abrasive) is coming out of the nozzle, you can stop the air flow by releasing the trigger. By doing this you are ensuring a clean manifold, hose and gun.
3. ALWAYS clean the gun thoroughly after use.

RELEASING PRESSURE FROM THE TANK

1. When finished blasting, close the abrasive control valve, see Fig 15.
2. Press and hold the trigger to expel any remaining abrasive material from the abrasive hose and gun.
3. When you notice only air (no abrasive material) is coming out of the gun, release the trigger and close the Air Supply Valve, see Fig 16.
4. Ensure the throttle valve is open, see Fig 17.
5. Point the gun in a safe direction.
6. Press the trigger until air stops flowing and pressure gauge reads "0".
7. Disconnect air supply hose from the supply valve.



MAINTENANCE



WARNING: DISCONNECT THE SANDBLASTER FROM THE AIR SUPPLY AND RELEASE ANY PRESSURE IN THE TANK AND HOSE BEFORE CHANGING ACCESSORIES, ATTEMPTING TO MOVE THE SANDBLASTER OR PERFORMING ANY MAINTENANCE.

1. Keep your sandblaster clean and protect it from damage.
2. When initially pressurising, check for leaks at the top of the tank and at all hoses and fittings.
3. Leaking joints maybe repaired by replacing worn or damaged parts or using teflon tape.

4. Check for worn abrasive hose and fittings.
5. Watch for leaks, blistering, bulging or thinning of the hose.
6. Replace any parts which appear worn.

AIR FILTER

DRAINING

Condensation will collect in the air filter which must be drained manually.

1. Drain the air filter by pulling down on the drain plug until all the water comes out, see Fig 18.

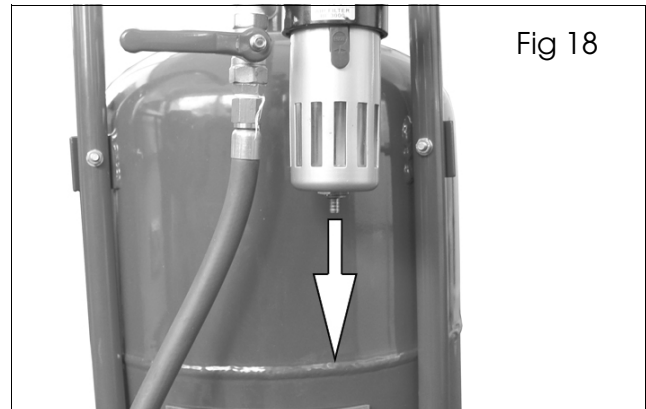


Fig 18

CLEANING/REPLACING

1. Press the release catch and unscrew the condensation chamber, see Fig 19.

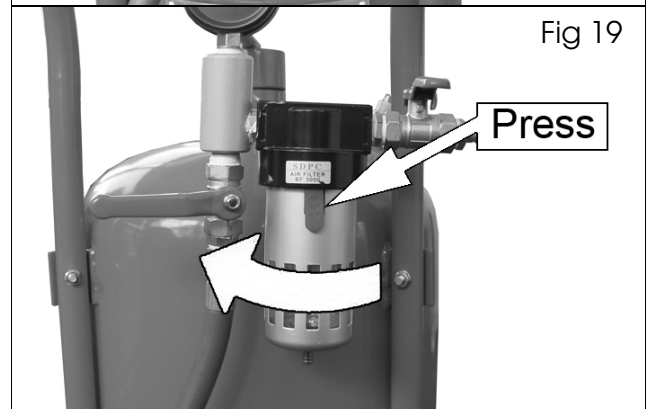


Fig 19

2. Unscrew the filter as shown in Fig 20 and wipe clean.

NOTE: Do not use harsh or abrasive chemicals when cleaning the condensation chamber.

3. Refit the condensation chamber.

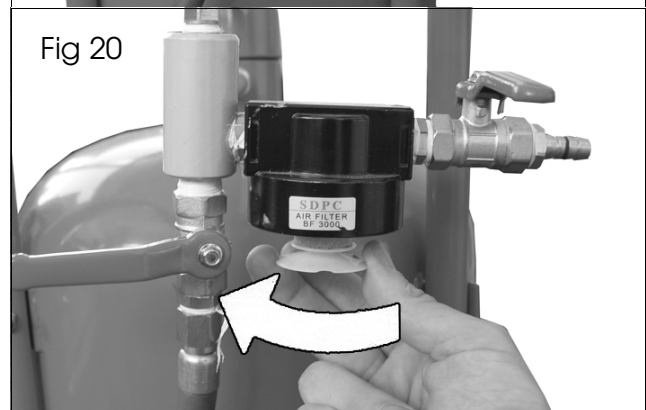


Fig 20

REPLACING THE NOZZLE

After 10-12 hours of blasting time the nozzle should be checked for wear. The nozzle will wear out over time and should be replaced when the hole is no longer round or the abrasive media does not flow smoothly through. To replace the nozzle:

NOTE: Refer to page 14 for the following replacement parts.

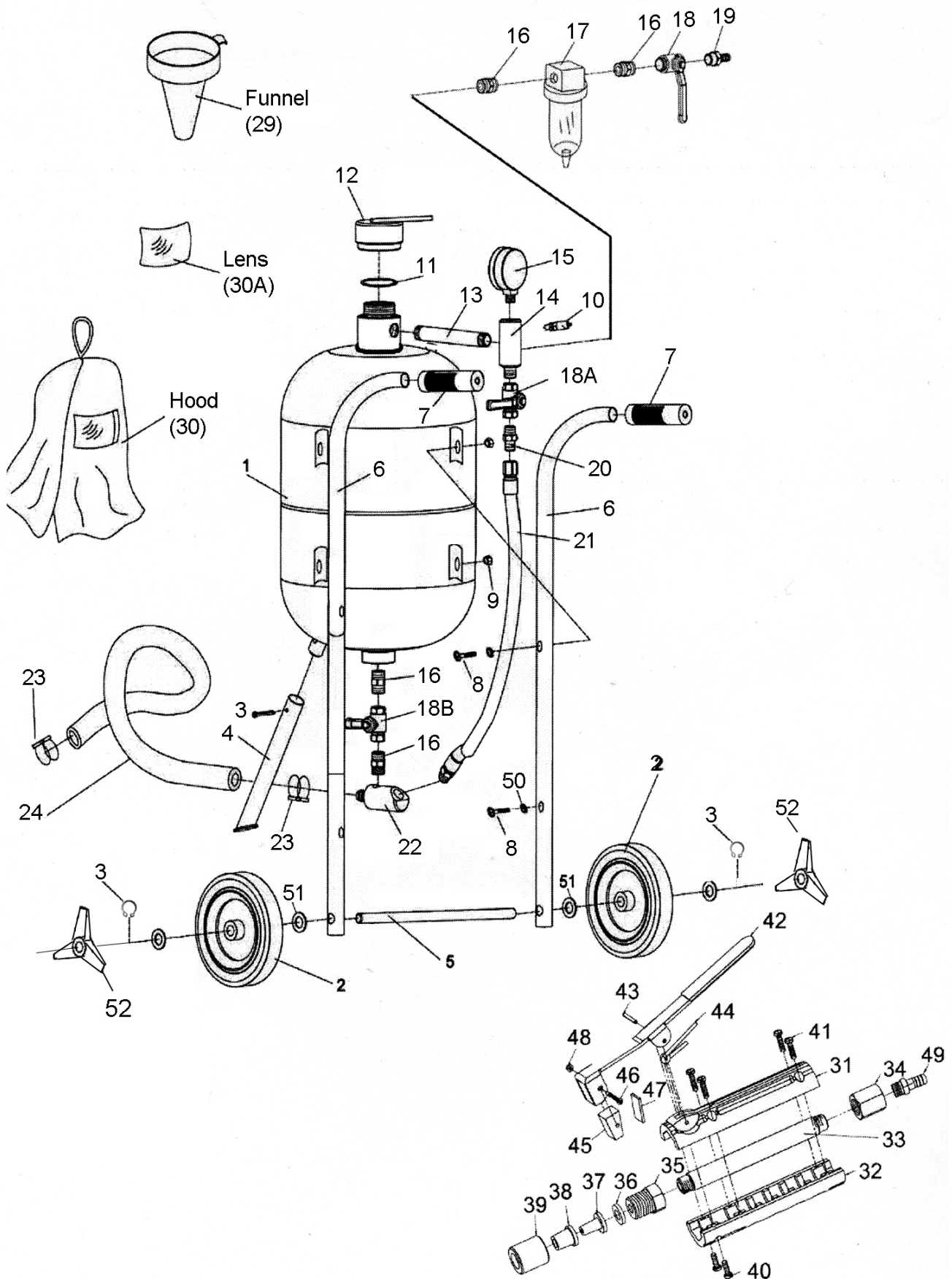
1. Disconnect the sandblasting gun from the air hose.
2. Unscrew the nozzle adapter (38), located at the front of the gun.
3. Remove the old nozzle (37) and insert the new one.
 - A pack of 4 replacement nozzles are available from your Clarke dealer Part number 7640132.

Replace the nozzle adapter (38) and firmly screw it onto sandblasting gun.

SPECIFICATIONS

Sand Grade Type	Recommended 80-100 grit
Abrasive Material	Aluminium Oxide, Sand, Garnet, Glass Beads
Tank Capacity (working)	63 Litres (13.86 Gallons)
Operating Pressure	65 - 125 PSI (4.4 - 8.6 Bar)
Flow Rate Required	169-707 l/min (6-25 cfm)
Min Compressor Size Required	2-10 HP (dependant on setting)
Nozzle Sizes	2, 2.5, 3, 3.5 mm
Dimensions (L x W x H)	445 x 780 x 920 mm
Product Weight (empty)	28.1 kg

EXPLODED DIAGRAM



PARTS LIST

NO	DESCRIPTION	NO	DESCRIPTION
1	Tank	29	Funnel
2	Wheel	30	Hood
3	Circlip	30A	Lens for Hood
4	Front Foot	31	Upper Gun Body
5	Axle	32	Lower Gun Body
6	Handle Bar	33	Metal Pipe
7	Handle Grip	34	Inlet Connector
8	Pan Head Screw	35	Adapter
9	Hex Nut	36	O-Ring
10	Safety Valve	37	Ceramic Nozzle
11	O-Ring	38	Rubber Adapter
12	Tank Filler Cap	39	Nozzle Cap Nut
13	Connecting Pipe	40	Screw ST 4.2 x 16
14	Intake Manifold	41	Screw ST 4.2 x 12
15	Pressure Gauge	42	On/Off Control Lever
16	3/8" Connector	43	Spring Pin
17	Water Trap Filter	44	Spring
18	3/8" Brass Air Supply Valve	45	Rubber Pad
18A	3/8" Brass Throttle Valve	46	Screw M3 x 25
18B	3/8" Steel Abrasive Control Valve	47	Hard Alloy Pad
19	Inlet Connector	48	Nut M3
20	Connector	49	Hose Adapter
21	Air Hose	50	Washer
22	Abrasive Outlet Manifold	51	Washer
23	Hose Clamps	52	Wheel Cover
24	Abrasive Hose		

DECLARATION OF CONFORMITY



Hemnall Street, Epping, Essex CM16 4LG

DECLARATION OF CONFORMITY

This is an important document and should be retained.

We hereby declare that this product(s) complies with the following statutory requirement(s):

Pressure Equipment (Safety) Regulations 2016
Supply of Machinery (Safety) Regulations 2008

The following standards have been applied to the product(s):

EN 1248:2001 + A1:2009, EN 12100:2010

The technical documentation required to demonstrate that the product(s) meet(s) the requirement(s) of the aforementioned legislation has been compiled and is available for inspection by the relevant enforcement authorities.

The UKCA mark was first applied in: 2022

Product Description: 63L Pressurised Sandblaster
Model number(s): CPSSB200B
Serial / batch Number: N/A
Date of Issue: 22/07/2022

Signed:

J.A. Clarke
Director



Fitzwilliam Hall, Fitzwilliam Place, Dublin 2

DECLARATION OF CONFORMITY

This is an important document and should be retained.

We hereby declare that this product(s) complies with the following directive(s):

2014/68/EU Pressure Equipment Directive
2006/42/EC Machinery Directive

The following standards have been applied to the product(s):

EN 1248:2001 + A1:2009, EN 12100:2010

The technical documentation required to demonstrate that the product(s) meet(s) the requirement(s) of the aforementioned directive(s) has been compiled and is available for inspection by the relevant enforcement authorities.

The CE mark was first applied in: 2017

Product Description: 63L Pressurised Sandblaster
Model number(s): CPSSB200B
Serial / batch Number: N/A
Date of Issue: 22/07/2022

Signed:

J.A. Clarke
Director

A SELECTION FROM THE VAST RANGE OF

Clarke®

QUALITY PRODUCTS



AIR COMPRESSORS
From DIY to industrial, Plus air tools, spray guns and accessories.

GENERATORS
Prime duty or emergency standby for business, home and leisure.

POWER WASHERS
Hot and cold, electric and engine driven - we have what you need

WELDERS

Mig, Arc, Tig and Spot.
From DIY to auto/industrial.

METALWORKING
Drills, grinders and saws for DIY and professional use.

WOODWORKING
Saws, sanders, lathes, mortisers and dust extraction.

HYDRAULICS
Cranes, body repair kits, transmission jacks for all types of workshop use.

WATER PUMPS
Submersible, electric and engine driven for DIY, agriculture and industry.

POWERTOOLS
Angle grinders, cordless drill sets, saws and sanders.

STARTERS/CHARGERS
All sizes for car and commercial use.



PARTS & SERVICE: 0208 988 7400

Parts Enquiries
Parts@clarkeinternational.com

Servicing & Technical Enquiries
Service@clarkeinternational.com

SALES: UK 01992 565333 or Export 00 44 (0)1992 565335

Clarke INTERNATIONAL Hemnall Street, Epping, Essex CM16 4LG
www.clarkeinternational.com